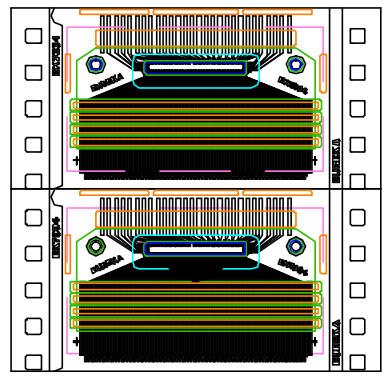


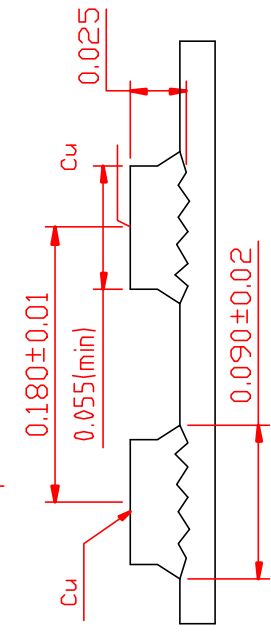
**Detail Of Flex**



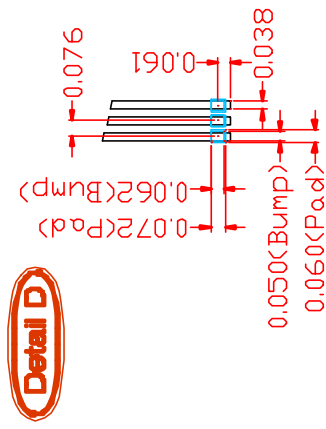
**SR Alignment mark**

**Specification**

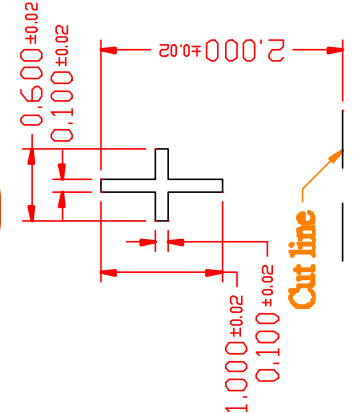
- Polyimide UPILEX-S 75±6µm
- Adhesive TORAY #7100 12±3µm
- Copper FQ-VLP 25±5µm
- Plating Sn 0.21±0.05µm
- Solder Resist AE-70-M11 26±14µm
- Flex Coating FS-100L MIN10µm
- Space Tape Material Polyester (PET)
- Leader Tape Material Polyester (PET)
- PKG Reel Size 405 mm



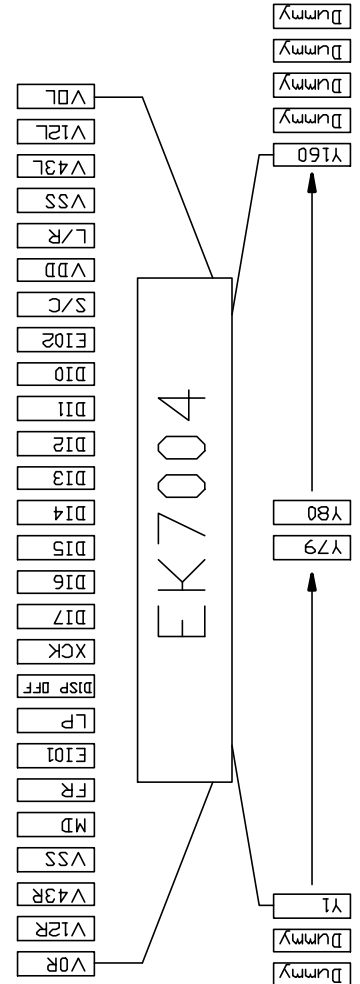
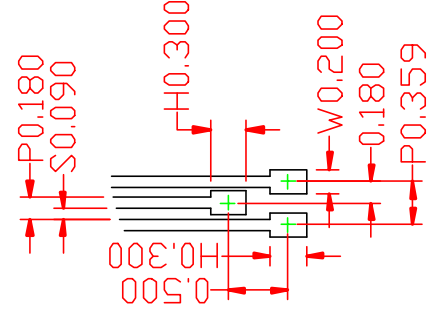
**cross section of output leads**



**Detail B**



**Detail A**



Unless Otherwise Specified		International Semiconductor Technology LTD. 飛信半導體股份有限公司		Scale	2.4:1	Proj	
Unit	mm	SUBPACK CODE		199FTC257001			
General Roughness		EK7004 Outline Drawing		Material PI			
Tolerance		Drawn	Checked	Approved	Drawing No	Rev	
Dimension	± 0.1	By	Jenny Chu		TC257 001 U01	1	
Angle	± 1°	Date	08-21-00	Sheet	1 Of 1	Size	A4