

SPECIFICATION

OF

LIQUID CRYSTAL DISPLAY MODULE



CUSTOMER : URT-STD

Model No. : UMSH-8425MD-1T

Model version : 0

Document Revision : 1

CUSTOMER APPROVED SIGNATURE			

This specification need to be signed by purchaser or customer as a specification of products production and delivery from URT. Without signature of this specification , any purchase order for this model no. will be treated and considered that this specification is automatically acknowledged and accepted by purchaser or customer.

 **U.R.T.**  **UNITED RADIANT TECHNOLOGY CORPORATION**

Allen Wang
APPROVED

George Tseng
CHECKED

Angus Chiu
CHECKED

Sharon Tsai
PREPARED

May-12-2010
Date

COMPANY : No. 2,Fu-hsing Road,Taichung Economic Processing Zone,Tantzu,Taichung,Taiwan,R.O.C.

TEL: 886-4-25314277

FAX: 886-4-25313067



Revision 1 ; UMSH-8425MD-1T Ver. 0 ; May-12-2010

Page: 1

This document has been signed by Digital Signature Approval System



UNITED RADIANT TECHNOLOGY CORP .

Headquarter office: NO.2 FU-SHING ROAD, T.E.P.Z. TANTZU, TAICHUNG, TAIWAN, R.O.C.
TEL: +886-4-25314277 FAX: +886-4-25313067
Factory: NO.12 CHIEN KUO ROAD, T.E.P.Z., TANTZU, TAICHUNG, TAIWAN, R.O.C.

To Whom It May Concern:

In continuing to develop and promote the strategic partnership between United Radiant Technology (URT) and Microtips USA (MTUSA), URT is please to announce that we have entered into an agreement with MTUSA to support some key projects only through MTUSA and as such the attached spec with URT Part no. will be manufactured by URT but support and logistic of the sales will be handled by MTUSA.

URT is confident that this arrangement between our two companies will ultimately benefit the end customer.

Thank You.

Raymond Chen

A handwritten signature in cursive script that reads "Raymond Chen". The signature is written in black ink and is positioned above a horizontal line.

Sales Manager: URT

Revision record

Document Revision	Model No. Version No.	Description	Revision by
0	UMSH-8425MD-T Version No. 0	7" TFT	Flyon Liao Jeffry Chen 25-Jan-2010
1	UMSH-8425MD-1T Version No. 0	1.Modify the interface from TTL to LVDS. 2.Modify the module number from UMSH-8425MD-T to UMSH-8425MD-1T.	Flyon Liao Jeffry Chen 12-May-2010

CONTENTS:

No.	Item	Page
1	BASIC SPECIFICATION 1.1 Mechanical Specification 1.2 Display Specification 1.3 Outline Dimension 1.4 Block Diagram 1.5 Interface Pin	4 4 5 6 7
2	ELECTRICAL CHARACTERISTICS 2.1 Absolute Maximum Ratings 2.2 DC Characteristics 2.3 Back-light 2.4 AC Characteristics	8 9 10 11~12
3	OPTICAL CHARACTERISTICS 3.1 Condition 3.2 Definition of Optical Characteristics	13 14~15
4	RELIABILITY	16
5	PRODUCT HANDING AND APPLICATION	17
6	DATECODE	18
7	PACKING & LOTNO	19~20
8	INSPECTION STANDARD	21~24

1. BASIC SPECIFICATION

1.1 Mechanical specifications

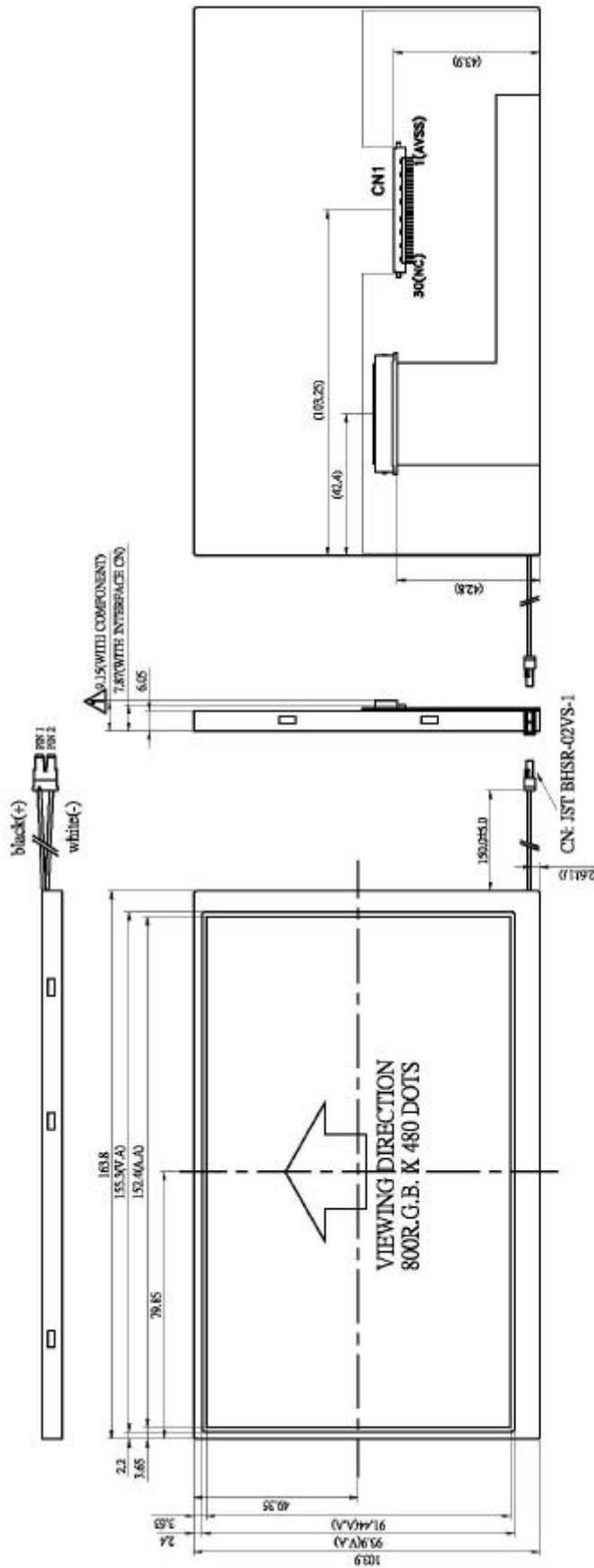
Items	Nominal Dimension	Unit
Active screen size	7.0" Diagonal	-
Dot Matrix	800 x RGB x 480	Pixel
Module Size (W x H x T)	163.8 x 103.9 x 9.15	mm.
Active Area (W x H)	152.4 x 91.44	mm.
Pixel Size (W×H)	0.1905 x 0.1905	mm.
Color depth	262K	color
Interface	LVDS - 18-bit	-
Driving IC Package	COG	-
Module Weight	171	g

1.2 Display specification

Display	Descriptions	Note
LCD Type	a-Si TFT	-
LCD Mode	TN/Normal white	-
Polarizer Mode	Transmissive	-
Polarizer Surface	Normal	-
Pixel arrangement	RGB-stripe	-
Backlight Type	LED	-
Viewing Direction(Gray inversion)	6 O'clock Direction	-

*Color tone is slightly changed by temperature and driving voltage.

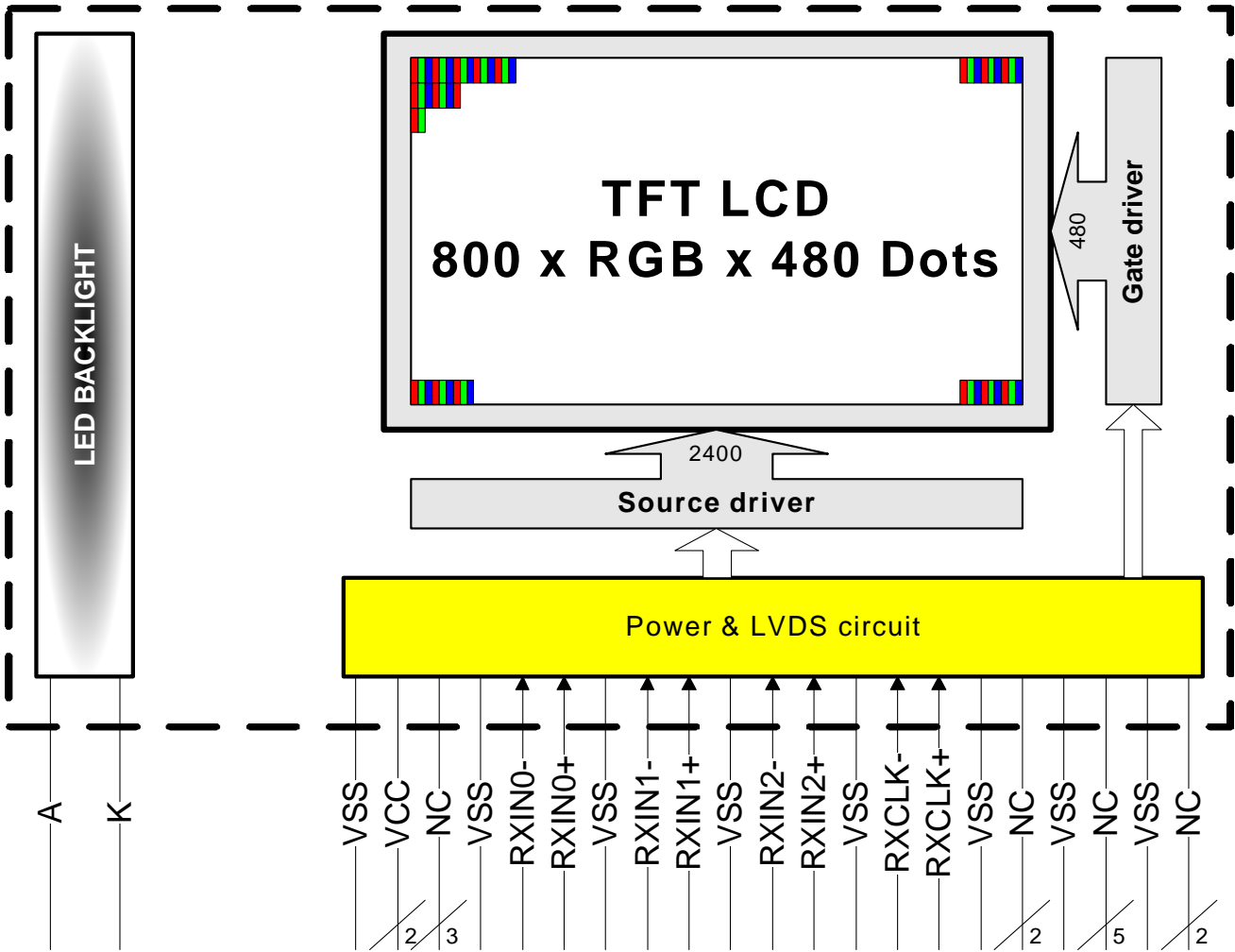
1.3 Outline dimension



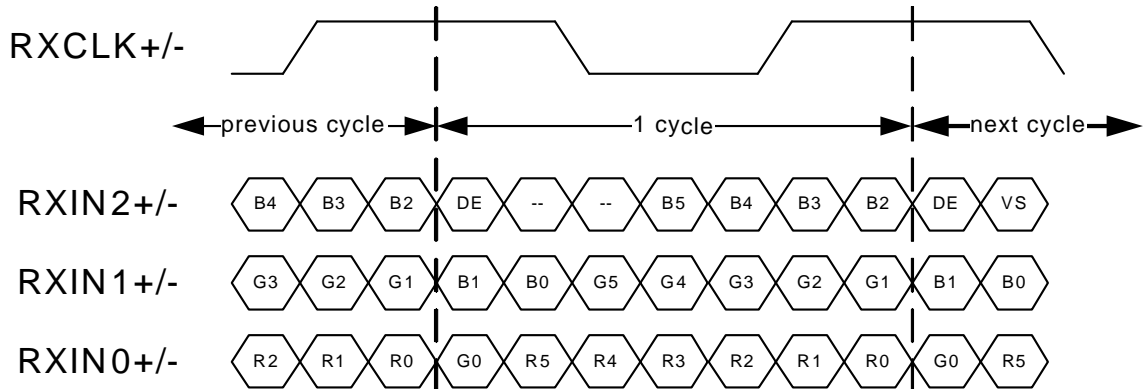
NOTE:

1. LCD : TFT TYPE, TRANSMISSIVE MODE, NORMAL WHITE
2. SURFACE TREATMENT : Anti-Glare
3. VIEWING DIRECTION : 6 O'CLOCK
4. Top : -30°C~85°C, Tst : -40°C~95°C
5. TOLERANCE FOR NOT ASSIGNED : ±0.3 mm
6. RoHS-COMPLIANT
7. BACKLIGHT : LED, CONSANTANT CURRENT If: 140mA, Vf: 9.9V(TYP)
8. TFT PIXEL SIZE : 0.1905 X 0.1905 mm
9. CN1: STARCONN 093F30-B0B01A PITCH: 1.0mm
10. RECOMMEND MALE CONNECTOR: 093J30-000000-00

1.4 Block diagram:



LVDS input data mapping



1.5 Interface pin :

Pin No.	Pin Symbol	I/O	Description
1	VSS	P	GND
2~3	VCC	P	Power supply for Module (+3.3V)
4~6	NC	-	No connection
7	VSS	P	GND
8	RXIN0-	I	Negative LVDS differential data inputs
9	RXIN0+	I	Positive LVDS differential data inputs
10	VSS	P	GND
11	RXIN1-	I	Negative LVDS differential data inputs
12	RXIN1+	I	Positive LVDS differential data inputs
13	VSS	P	GND
14	RXIN2-	I	Negative LVDS differential data inputs
15	RXIN2+	I	Positive LVDS differential data inputs
16	VSS	P	GND
17	RXCLK-	I	Negative LVDS differential clock inputs
18	RXCLK+	I	Positive LVDS differential clock inputs
19	VSS	P	GND
20~21	NC	-	No connection
22	VSS	P	GND
23~27	NC	-	No connection
28	VSS	P	GND
29~30	NC	-	No connection

B/L interface pin :

Pin No.	Pin Symbol	I/O	Description
1	A	P	Power supply for LED+
2	K	P	Power supply for LED-

2. ELECTRICAL CHARACTERISTICS

2.1 Absolute Maximum Ratings

Items	Symbol	Min.	Max.	Unit
Power supply voltage	VCC	-0.3	7.0	V
Input voltage	V _{in}	-0.3	VCC+0.3	V
Operate temperature range	T _{OP}	-30	85	°C
Storage temperature range	T _{ST}	-40	95	°C

2.2 DC Characteristics

$T_a = 25^\circ\text{C}$

Items	Symbol	Min.	Typ.	Max.	Unit	Condition
Supply voltage	VCC	-	3.3	-	V	-
Input Voltage	V _{IL}	0	-	0.3VCC	V	L level
	V _{IH}	0.7VCC	-	VCC	V	H level
Current consumption	I _{VCC}	-	-	262	mA	Note 1

*Note1 :

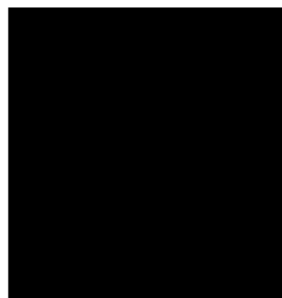
Measuring Condition:

Standard Value MAX.

$T_a = 25^\circ\text{C}$

VCC -GND = 3.3V

Display Pattern



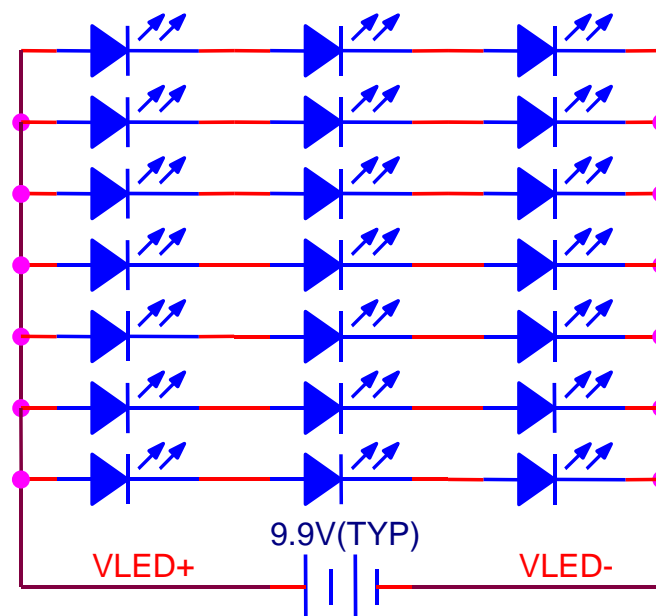
0 gray black pattern

2.3 Back-light only Specification

PARAMETER	SYMBOL	MIN	TYP	MAX	Unit	Test Condition	NOTE
Supply Current	If	-	140	-	mA	Ta=25°C	
Supply Voltage	Vf	8.7	9.9	10.8	V	Ta=25°C	
Half-Life Time	Lf	-	50000	-	hrs	Ta=25°C	1

Note 1 : The " Half-Life Time" is defined as the LED chip brightness decreases to 50% than original brightness, Based on Ta 25±2°C ,60±10% RH condition .

Note 2 : LED backlight is 21 LEDs.

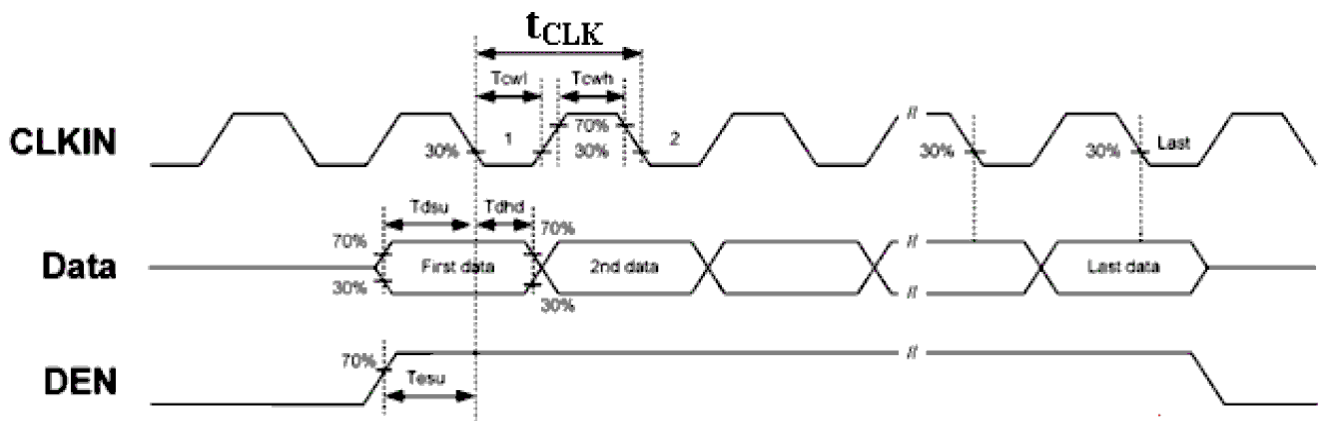


2.4 AC Characteristics

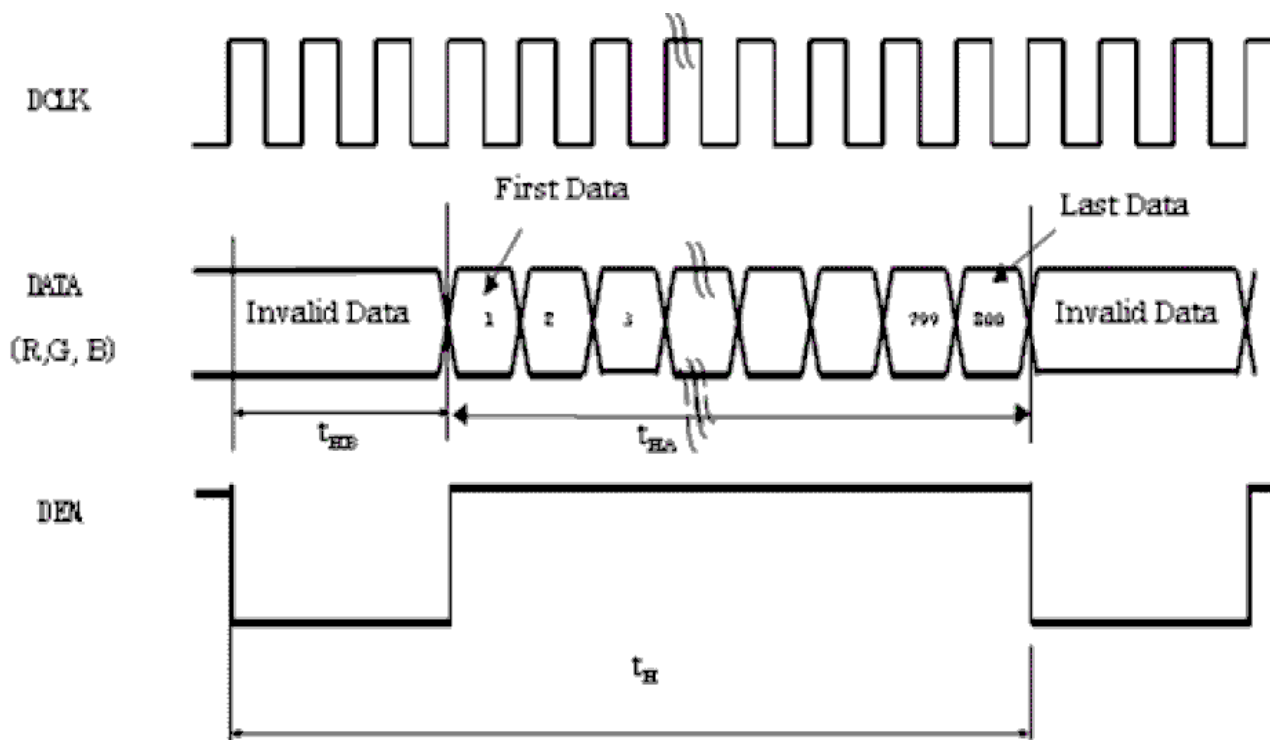
2.4.1 Timing Specification:

	ITEM	SYMBOL	MIN.	TYP.	MAX.	UNIT	Note
DCLK	Dot Clock	1/tCLK	25	27	32	MHz	
	DCLK pulse duty	Tcwh	40	50	60	%	
DE	Setup Time	Tesu	8	-	-	ns	
	Hold time	Tehd	8	-	-	ns	
	Horizontal Period	tH	908	928	948	tCLK	
	Horizontal Valid	tHA	800			tCLK	
	Horizontal Blank	tHB	108	128	148	tCLK	
	Vertical Period	tV	515	525	535	tH	
	Vertical Valid	tVA	480			tH	
	Vertical Blank	tVB	35	45	55	tH	

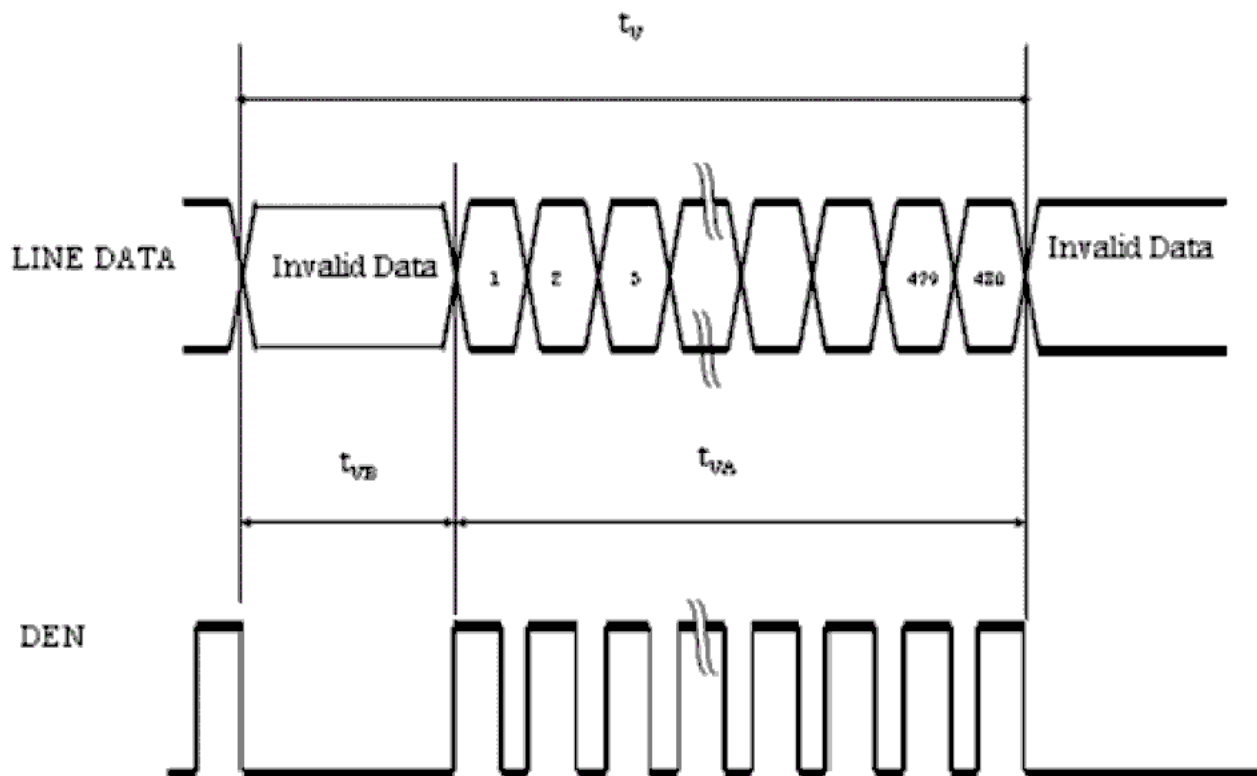
2.4.2 Timing sequence(Timing chart)



2.4.2.1 DE mode Horizontal Timing Sequence:



2.4.2.2 DE mode Vertical Timing Sequence:



3. OPTICAL CHARACTERISTICS

3.1 Characteristics

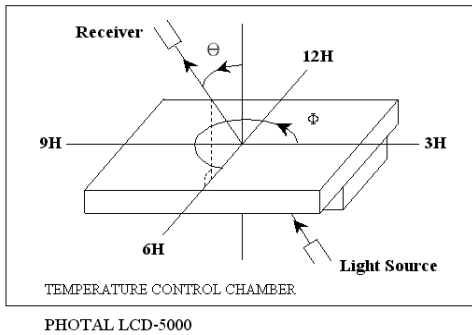
Electrical and Optical Characteristics

No.	Item	symbol / temp.		Min.	Typ.	Max.	Unit	Note	
1	Response Time	Tr+Tf	25 °C	-	20	35	ms	2	
2	Viewing Angle	Hor.	Cr>=10	Ψ	120	140	-	degree	3
		Ver.		Θ	100	120	-		
3	Contrast Ratio	Cr	25 °C	350	450	-	-	4	
4	Red x-code	Rx	25 °C	0.52	0.57	0.62	-	5	
	Red y-code	Ry		0.28	0.33	0.38			
	Green x-code	Gx		0.31	0.36	0.41			
	Green y-code	Gy		0.51	0.56	0.61			
	Blue x-code	Bx		0.10	0.15	0.20			
	Blue y-code	By		0.07	0.12	0.17			
	White x-code	Wx		0.26	0.31	0.36			
	White y-code	Wy		0.27	0.32	0.37			
	Brightness	Y		400	500	-	cd/m ²		
5	Brightness Uniformity		25 °C	70	-	-	%	6	

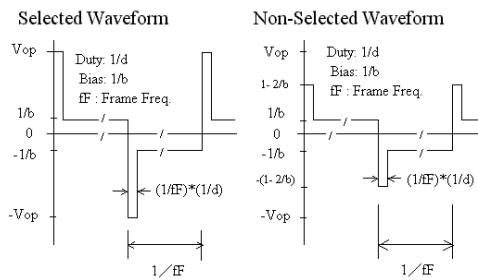
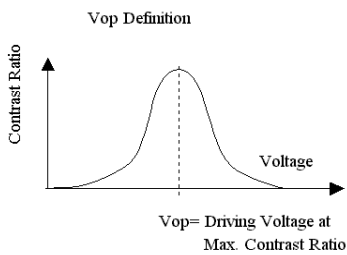
3.2 Definition of optical characteristics

Measurement condition :

Transmissive and Transflective type

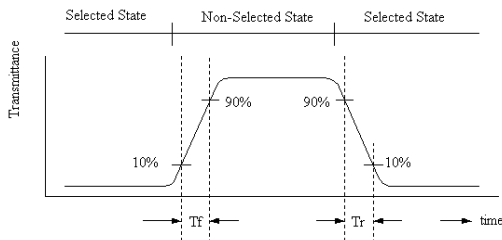


[Note 1] Definition of LCD Driving Vop and Waveform :



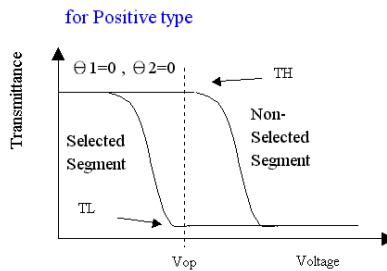
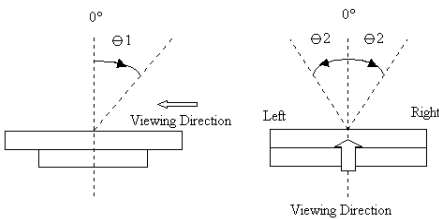
[Note 2] Definition of Response Time

for Positive type :



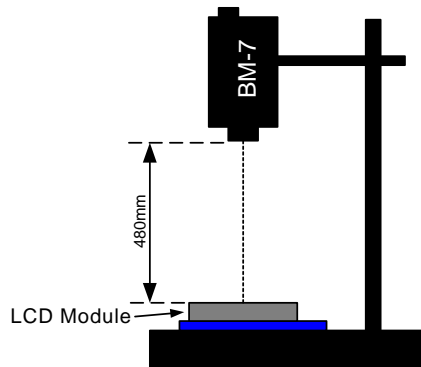
[Note 3] Definition of Viewing Angle :

[Note 4] Definition of Contrast Ratio :

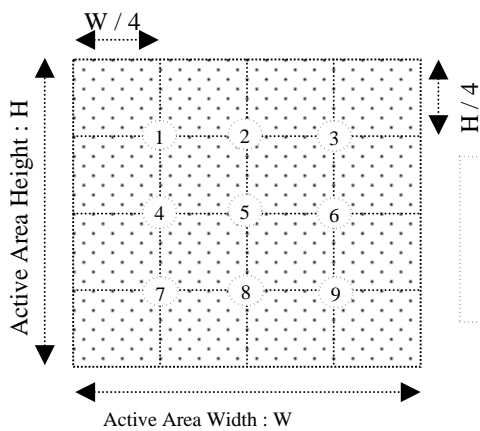


$$\text{Contrast Ratio} = \frac{TH}{TL}$$

[Note 5] Definition of measurement of Color Chromaticity and Brightness

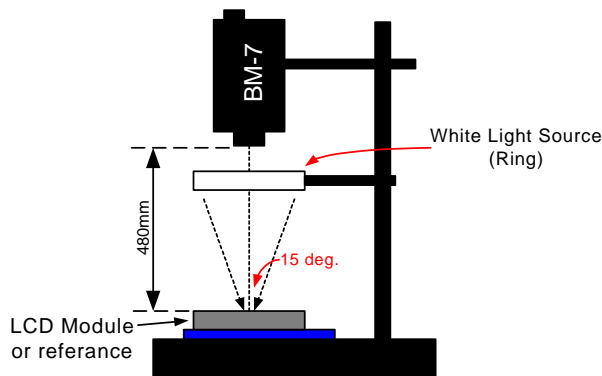


[Note 6] Definition of Brightness Uniformity



$$\text{Brightness Uniformity} = \frac{\text{Minimum Brightness of Point 1~9}}{\text{Maximum Brightness of Point 1~9}}$$

[Note 7] Definition of Measurement of Reflectance



4. RELIABILITY :

Item No	Items	Condition
1	High temperature operating	85 , 200 hours
2	Low temperature operating	-30 , 200 hours
3	High temperature storage	95 , 200 hours
4	Low temperature storage	-40 , 200 hours
5	High temperature & humidity storage	60 , 90%RH, 100 hours
6	Thermal Shock storage	-40 , 30min.<=> 95 , 30min. 10 Cycles
7	Vibration test	10 => 55 =>10 => 55 => 10 Hz , within 1 minute Amplitude : 1.5mm. 15 minutes for each Direction (X,Y,Z)
8	Drop test	Packed, 100CM free fall, 6 sides, 1 corner, 3edges
9	Life time	50,000 hours 25 , 60%RH , specification condition driving

- * One single product test for only one item.
- * Judgment after test : keep in room temperature for more than 2 hours.
 - Current consumption < 2 times of initial value
 - Contrast > 1/2 initial value
 - Function : work normally

5. PRODUCT HANDLING AND APPLICATION

PRECAUTION FOR HANDLING LCM

The LCD module contains a C-MOS LSI. People who operate the LCM should wear ESD protection equipment to prevent ESD hurt on products.

Do not input any signal before power is turned on.

Do not take LCM from its packaging bag until it is assembled.

Peel off the LCM protective film slowly since static electricity may be generated.

Pay attention to the humidity of the work shop, 50~60%RH is satisfactory.

Use a non-leak iron for soldering LCM.

Do not touch the display surface or connection terminals area with bare hands. Smudges on the display surface reduce the insulation between terminals.

Cautions for soldering to LCM:

Condition for soldering I/O terminals:

Temperature at iron tip :350 ±15 .

Soldering time : 3~4sec./ terminals.

Type of solder : Eutectic solder(rosin flux filled).

PRECAUTION IN USE OF LCD

Do not contact or scratch the front surface and the contact pads of a LCD panel with hard materials such as metal or glass or with one's nail.

To clean the surface , wipe it gently with soft cloth dampened by alcohol.

Do not attempt to wipe off the contact pads.

Keep LCD panels away from direct sunlight , also avoid them in high-temperature & high humidity environment for a long period.

Do not drive LCD panels by DC voltage.

Do not expose LCD panels to organic solvent.

Liquid in LCD is hazardous substance. In case a contact with liquid crystal material is occurred, be sure to immediately wash such material away by soap and water.

The polarizer is easily damaged and should be handle with special care. Don't press or rub it with hard objects.

PRECAUTION FOR STORING AND USE OF LCM

To avoid degradation of the device , do not store the module under the conditions of direct sunlight , high temperature or high humidity . Keep the module in bags designed to prevent static electricity charging under low temperature / normal humidity conditions(avoid high temperature / high humidity and low temperature below 0)

Never use the LCD , LCM under 45 Hz , the liquid crystal will decomposition and cause permanently damage on display !!

USING ON MEDICAL CARE , SAFETY OR HAZARDOUS APPLICATION OR SYSTEM

For the application in medical care, safety and hazardous products or systems, an authorization from URT is required. URT will not responsible for any damage or loss which caused by the products without any authorization given by URT.

This product is not allowed to be designed and used for military application and/or purpose.

The delivery of this product to the countries and/or regions where the embargoes are imposed by U.N. is prohibited.

The application and delivery of this product must comply with Strategic High-Tech Commodities (SHTC) export control and the sales to the embargoed and/or sanctioned countries or regions are strictly prohibited.

6. DATE CODE OF PRODUCTS

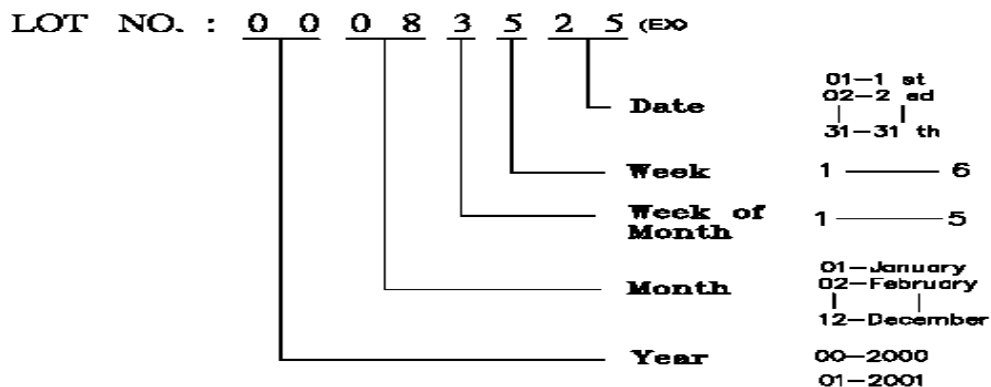
Date code will be shown on each product :

YY MM DD - XXXX
| | | |
Year Month Day - Production lots

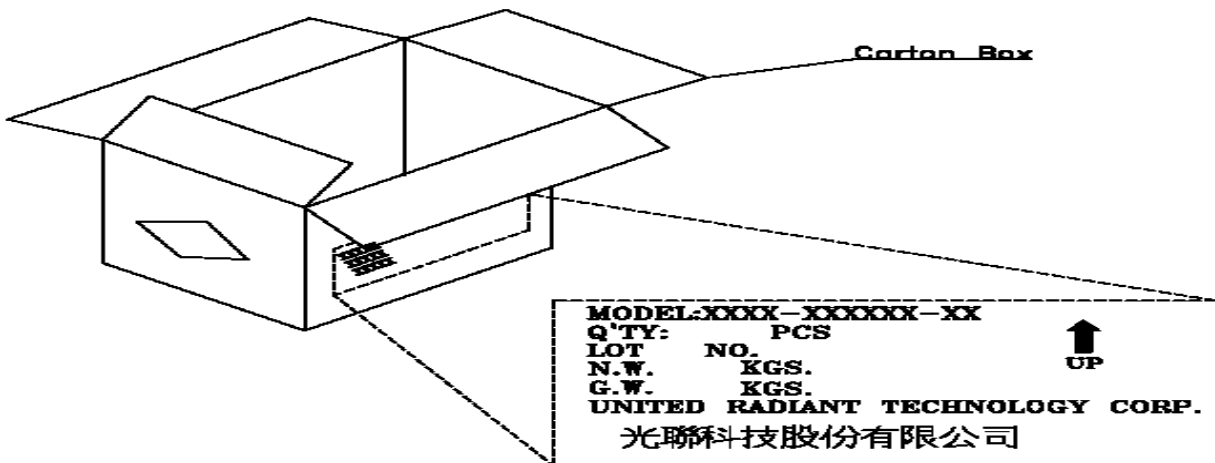
Example: 090508 - 0 0 0 3 ==>Year 2009, May.,08rd , Batch no.03

7. PACKING

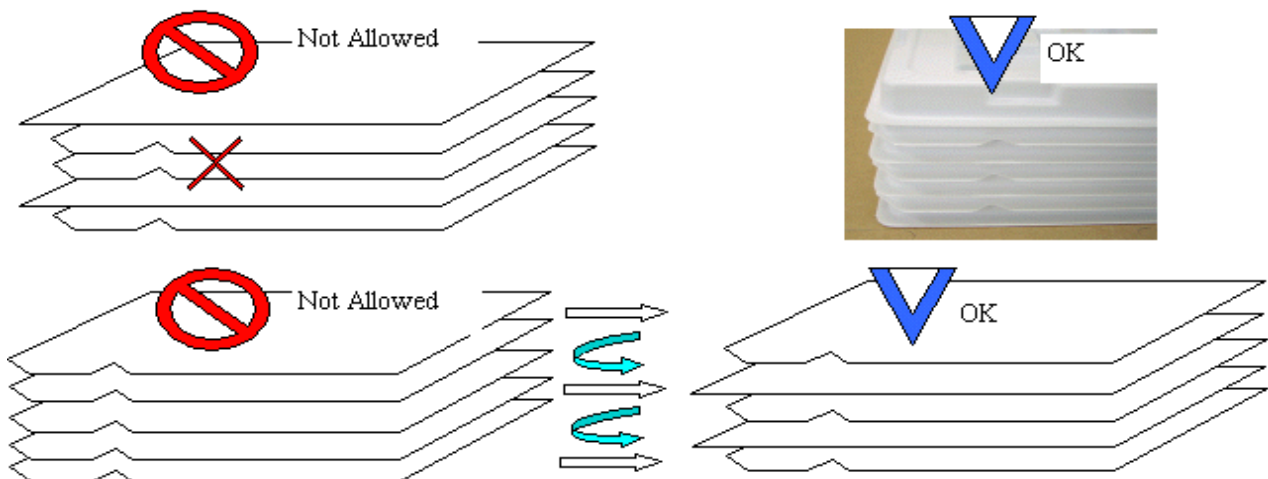
Instruction of lot number:



Label of carton:



Packing tray must be stacked with alternated direction to each others.
 To tacks packing trays in same direction will cause product damaged.



MODEL NO: UM*

T.B.D pcs / Tray

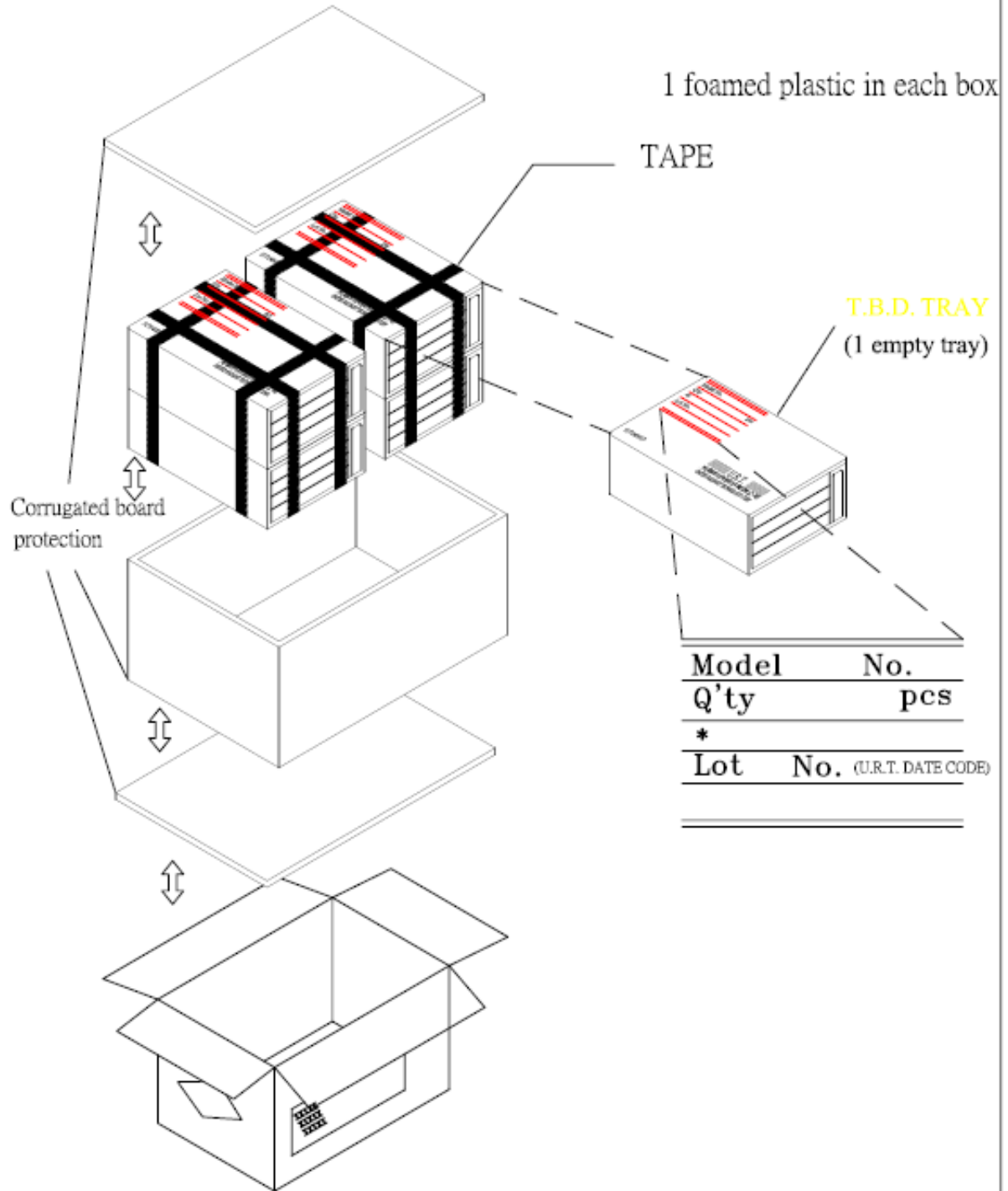
T.B.D Tray / Box

T.B.D. Box / Carton

T.B.D. pcs / Carton

NOTE:

- (1) Be warned, the direction of the tray has to turn it by 180 degree before stack it up. Otherwise, it will be packager's responsibility!!
- (2) Safe Stack : 5 cartons only



8. INSPECTION STANDARD

8.1. QUALITY :

THE QUALITY OF GOODS SUPPLIED TO PURCHASER SHALL COME UP TO THE FOLLOWING STANDARD.

8.1.1. THE METHOD OF PRESERVING GOODS

AFTER DELIVERY OF GOODS FROM U.R.T. TO PURCHASER. PURCHASER SHALL CONTROL THE LCM AT -10 40 ,AND IT MIGHT BE DESIRABLE TO KEEP AT THE NORMAL ROOM TEMPERATURE AND HUMIDITY UNTIL INCOMING INSPECTION OR THROWING INTO PROCESS LINE.

8.1.2. INCOMING INSPECTION

(A) THE METHOD OF INSPECTION

IF PURCHASER MAKE AN INCOMING INSPECTION , A SAMPLING PLAN SHALL BE APPLIED ON THE CONDITION THAT QUALITY OF ONE DELIVERY SHALL BE REGARDED AS ONE LOT.

(B) THE STANDARD OF QUALITY

ISO-2859-1 (or MIL-STD-105E) , LEVEL SINGLE PLAN.

CLASS	AQL(%)
CRITICAL	0.4 %
MAJOR	0.65 %
MINOR	1.5 %
TOTAL	1.5 %

EVERY ITEM SHALL BE INSPECTED ACCORDING TO THE CLASS.

(C) MEASURE

IF AS THE RESULT OF ABOVE RECEIVING INSPECTION , A LOT OUT IS DISCOVERED. PURCHASER SHALL BE INFORM SELLER OF IT WITHIN SEVEN DAYS. BUT FIRST SHIPMENT WITHIN FOURTEEN DAYS.

8.1.3. WARRANTY POLICY

U.R.T. WILL PROVIDE ONE-YEAR WARRANTY FOR THE PRODUCTS ONLY IF UNDER SPECIFICATION OPERATING CONDITIONS. U.R.T. WILL REPLACE NEW PRODUCTS FOR THESE DEFECT PRODUCTS WHICH UNDER WARRANTY PERIOD AND BELONG TO THE RESPONSIBILITY OF U.R.T.

8.2. CHECKING CONDITION

8.2.1. CHECKING DIRECTION SHALL BE IN THE 45 DEGREE AREA TO FACE THE SAMPLE.

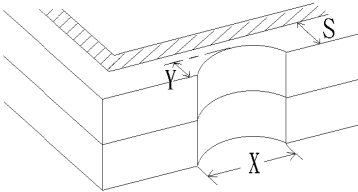
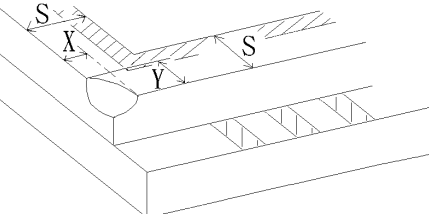
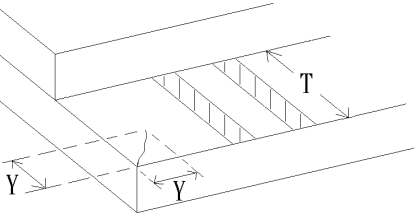
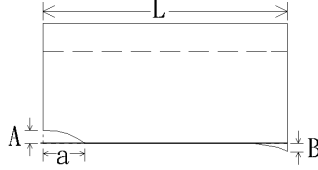
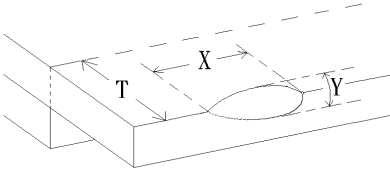
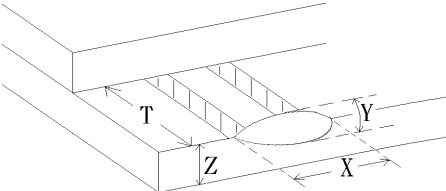
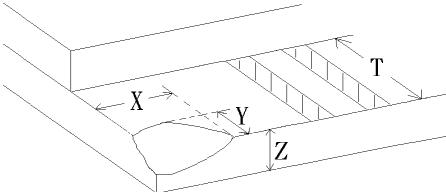
8.2.2. CHECKER SHALL SEE OVER 30 cm. WITH BARE EYES FAR FROM SAMPLE AND USING 2 PCS. OF 20W FLUORESCENT LAMP.

8.3. INSPECTION PLAN :

CLASS	ITEM	JUDGEMENT	CLASS
PACKING & INDICATE	1. OUTSIDE AND INSIDE PACKAGE	"MODEL NO." , "LOT NO." AND "QUANTITY" SHOULD INDICATE ON THE PACKAGE.	Minor
	2. MODEL MIXED AND QUANTITY	OTHER MODEL MIXED.....REJECTED QUANTITY SHORT OR OVER.....REJECTED	Critical
	3. PRODUCT INDICATION	"MODEL NO." SHOULD INDICATE ON THE PRODUCT	Major
ASSEMBLY	4. DIMENSION, LCD GLASS SCRATCH AND SCRIBE DEFECT.	ACCORDING TO SPECIFICATION OR DRAWING.	Major
APPEARANCE	5. VIEWING AREA	POLARIZER EDGE OR LCD'S SEALING LINE IS VISABLE IN THE VIEWING AREAREJECTED	Minor
	6. BLEMISH, BLACK SPOT, WHITE SPOT IN THE LCD AND LCD GLASS CRACKS	ACCORDING TO STANDARD OF VISUAL INSPECTION (INSIDE VIEWING AREA)	Minor
	7. BLEMISH, BLACK SPOT WHITE SPOT AND SCRATCH ON THE POLARIZER	ACCORDING TO STANDARD OF VISUAL INSPECTION (INSIDE VIEWING AREA)	Minor
	8. BUBBLE IN POLARIZER	ACCORDING TO STANDARD OF VISUAL INSPECTION (INSIDE VIEWING AREA)	Minor
	9. LCD'S RAINBOW COLOR	STRONG DEVIATION COLOR (OR NEWTON RING) OF LCD.....REJECTED. OR ACCORDING TO LIMITED SAMPLE (IF NEEDED, AND INSIDE VIEWING AREA)	Minor
ELECTRICAL	10. ELECTRICAL AND OPTICAL CHARACTERISTICS (CONTRAST, VOP, CHROMATICITY ... ETC)	ACCORDING TO SPECIFICATION OR DRAWING . (INSIDE VIEWING AREA)	Critical
	11.MISSING LINE	MISSING DOT, LINE, CHARACTERREJECTED	Critical
	12.SHORT CIRCUIT, WRONG PATTERN DISPLAY	NON DISPLAY, WRONG PATTERN DISPLAY, CURRENT CONSUMPTION OUT OF SPECIFICATION..... REJECTED	Critical
	13. PIN HOLE, PATTERN DEFORMITY	ACCORDING TO STANDARD OF VISUAL INSPECTION	Minor

8.4. STANDARD OF VISUAL INSPECTION

NO.	CLASS	ITEM	JUDGEMENT																																	
8.4.1	MINOR	<p>. BLEMISH, BLACK SPOT, WHITE SPOT IN THE LCD.</p> <p>. BLEMISH, BLACK SPOT, WHITE SPOT AND SCRATCH ON THE POLARIZER</p>	<p>(A) ROUND TYPE: unit : mm.</p> <table border="1"> <thead> <tr> <th>DIAMETER (mm.)</th> <th>ACCEPTABLE Q'TY</th> </tr> </thead> <tbody> <tr> <td>0.1</td> <td>DISREGARD</td> </tr> <tr> <td>0.1 < 0.2</td> <td>2</td> </tr> <tr> <td>0.2 < 0.25</td> <td>1</td> </tr> <tr> <td>0.25 <</td> <td>0</td> </tr> </tbody> </table> <p>NOTE: $=(\text{LENGTH}+\text{WIDTH})/2$</p> <p>(B) LINER TYPE: unit : mm.</p> <table border="1"> <thead> <tr> <th>LENGTH</th> <th>WIDTH</th> <th>ACCEPTABLE Q'TY</th> </tr> </thead> <tbody> <tr> <td>-----</td> <td>W 0.03</td> <td>DISREGARD</td> </tr> <tr> <td>L 5.0</td> <td>0.03 < W 0.05</td> <td>3</td> </tr> <tr> <td>L 5.0</td> <td>0.05 < W 0.07</td> <td>1</td> </tr> <tr> <td>-----</td> <td>0.07 < W</td> <td>FOLLOW ROUND TYPE</td> </tr> </tbody> </table>	DIAMETER (mm.)	ACCEPTABLE Q'TY	0.1	DISREGARD	0.1 < 0.2	2	0.2 < 0.25	1	0.25 <	0	LENGTH	WIDTH	ACCEPTABLE Q'TY	-----	W 0.03	DISREGARD	L 5.0	0.03 < W 0.05	3	L 5.0	0.05 < W 0.07	1	-----	0.07 < W	FOLLOW ROUND TYPE								
DIAMETER (mm.)	ACCEPTABLE Q'TY																																			
0.1	DISREGARD																																			
0.1 < 0.2	2																																			
0.2 < 0.25	1																																			
0.25 <	0																																			
LENGTH	WIDTH	ACCEPTABLE Q'TY																																		
-----	W 0.03	DISREGARD																																		
L 5.0	0.03 < W 0.05	3																																		
L 5.0	0.05 < W 0.07	1																																		
-----	0.07 < W	FOLLOW ROUND TYPE																																		
8.4.2	MINOR	BUBBLE IN POLARIZER	<p style="text-align: right;">unit : mm.</p> <table border="1"> <thead> <tr> <th>DIAMETER</th> <th>ACCEPTABLE Q'TY</th> </tr> </thead> <tbody> <tr> <td>0.15</td> <td>DISREGARD</td> </tr> <tr> <td>0.15 < 0.5</td> <td>2</td> </tr> <tr> <td>0.5 <</td> <td>0</td> </tr> </tbody> </table>	DIAMETER	ACCEPTABLE Q'TY	0.15	DISREGARD	0.15 < 0.5	2	0.5 <	0																									
DIAMETER	ACCEPTABLE Q'TY																																			
0.15	DISREGARD																																			
0.15 < 0.5	2																																			
0.5 <	0																																			
8.4.3	MINOR	Dot Defect	<table border="1"> <thead> <tr> <th>Items</th> <th>ACC. Q'TY</th> </tr> </thead> <tbody> <tr> <td>Bright dot</td> <td>N 4</td> </tr> <tr> <td>Dark dot</td> <td>N 4</td> </tr> </tbody> </table> <p>Pixel Define</p> <table border="1"> <tbody> <tr> <td>R</td><td>G</td><td>B</td><td>R</td><td>G</td><td>B</td><td>R</td><td>G</td><td>B</td> </tr> <tr> <td>R</td><td>G</td><td>B</td><td>R</td><td>G</td><td>B</td><td>R</td><td>G</td><td>B</td> </tr> <tr> <td>R</td><td>G</td><td>B</td><td>R</td><td>G</td><td>B</td><td>R</td><td>G</td><td>B</td> </tr> </tbody> </table> <p>Not 1: The definition of dot: The size of a defective dot over 1/2 of whole dot is regarded as one defective dot. Not 2: Bright dot: Dots appear bright and unchanged in size in which LCD panel is displaying under black pattern. Not 3: Dark dot: Dots appear dark and unchanged in size in which LCD panel is displaying under pure red, green, blue pattern.</p>	Items	ACC. Q'TY	Bright dot	N 4	Dark dot	N 4	R	G	B	R	G	B	R	G	B	R	G	B	R	G	B	R	G	B	R	G	B	R	G	B	R	G	B
Items	ACC. Q'TY																																			
Bright dot	N 4																																			
Dark dot	N 4																																			
R	G	B	R	G	B	R	G	B																												
R	G	B	R	G	B	R	G	B																												
R	G	B	R	G	B	R	G	B																												

NO.	CLASS	ITEM	JUDGEMENT
8.4.4	MINOR	CHIPPING	 $Y > S$ REJ.
8.4.5	MINOR	CHIPPING	 $X \text{ or } Y > S$ REJ.
8.4.6	MAJOR	GLASS CRACK	 $Y > (1/2) T$ REJ.
8.4.7	MAJOR	SCRIBE DEFECT	 <ol style="list-style-type: none"> $a > L/3$, $A > 1.5\text{mm}$. REJ. B : ACCORDING TO DIMENSION
8.4.8	MINOR	CHIPPING (ON THE TERMINAL AREA)	 $= (x+y)/2 > 2.5 \text{ mm}$ REJ.
8.4.9	MINOR	CHIPPING (ON THE TERMINAL SURFACE)	 $Y > (1/3) T$ REJ.
8.4.10	MINOR	CHIPPING	 $Y > T$ REJ.